

SYLVANIA

B2001 LED SERIES | SHADE

DECORATIVE (CATEGORY P)



B2001 Shade

PRODUCT / PERFORMANCE SUMMARY

- 34W LED Module
- Integral 240V control gear
- IP54 sealed optical and gear chamber with refractor and glass windows
- IK07
- CRI>70
- Ambient temperature 40⁰ C
- 20 year design life
- Available in Colour Temperature of 4000K
- Limited Warranty: 5 years (refer to G.L. Terms and Conditions)
- Options:
 - Polyester powdercoat finish in various RAL colours
 - Symmetric distribution with Type 5 acrylic refractor
 - NEMA 7 pin or, D2 PE Cell

PRODUCT DESCRIPTION

The B2001 Series LED is designed to provide an economical and efficient method of area lighting. The Sylvania B2001 Nostalgia Series presents the opportunity to create modern, energy efficient street lighting systems whilst maintaining a nostalgic appearance. Apart from its decorative attraction, each model within the B2001 LED Shade Series provides lighting distribution to meet AS1158 Category P for Minor Road Lighting and AS1158.6

Designed as a completely integral unit with lamp and control gear easily accessible for maintenance. The body assembly is pressure die-cast aluminium with stainless steel fixings used exclusively in manufacture and the radial prismatic refractor is injection moulded acrylic. Complementary to this series of luminaires is a range of Sylvania Estate Columns.

APPLICATIONS

- Roadway (P)
- Pedestrian
- Amenity

ORDERING CODES

Order Code	Description	Type	Wattage	Dimensions (H x W)	Weight (kg)
DC99E03L34	B2001 LED 34W LED	LED	34W	558mm h x 550mm w	5.7

Note: The above codes are for standard products only. Please refer to your local Gerard Lighting representative for more options.

PRODUCT SPECIFICATIONS

Electrical Characteristics:

- Input Voltage: 216-260V –50Hz
- Power Factor: > 0.95
- System watts: 34W

Optical Characteristics:

- CCT: Available in 4000K
- Lumen Maintenance: L90 at 88,000 hrs
- CRI: > 70
- Optical chamber independently sealed to IP54

Mechanical Characteristics:

- Pressure die cast, aluminium body and spun aluminium canopy
- Weight: 5.7 kg
- IP54 Optic
- Stainless steel fasteners, latches and clips
- Black polyester powdercoat finish as standard (other colours available on request)

Control Characteristics:

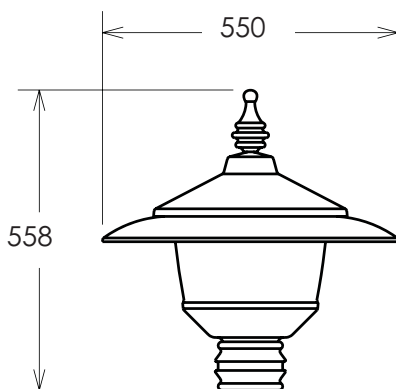
- IP54 Control gear chamber with acrylic type 3 refractor
- DALI or 1-10V Control.
- NEMA – 7pin or D2 PE Cell available as options

Environmental & Standards:

- Ambient Operation Temps: to 40° C
- Operating Humidity Range: 10%- 95% Relative humidity
- High Impact rating
- Ingress protection for weather proofing
- EMC compliant: AS/NZS CISPR15, EN/IEC 61000-3-2, EN/IEC 61000-3-3 Immunity EN 61547, Complies to Technical Spec SA/SNZ TS 1158.6 Luminaires Performance

PHOTOMETRY

For photometry relevant to your project, please contact your local Gerard Lighting representative.



Ø76 O.D. x 80mm long

B2001