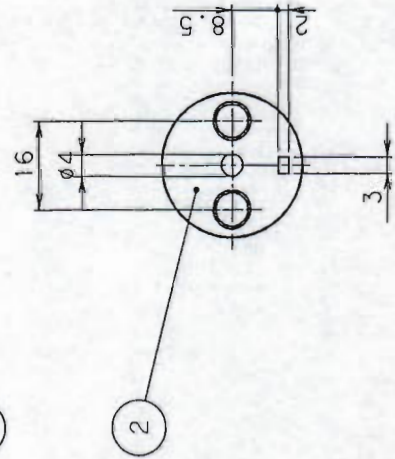
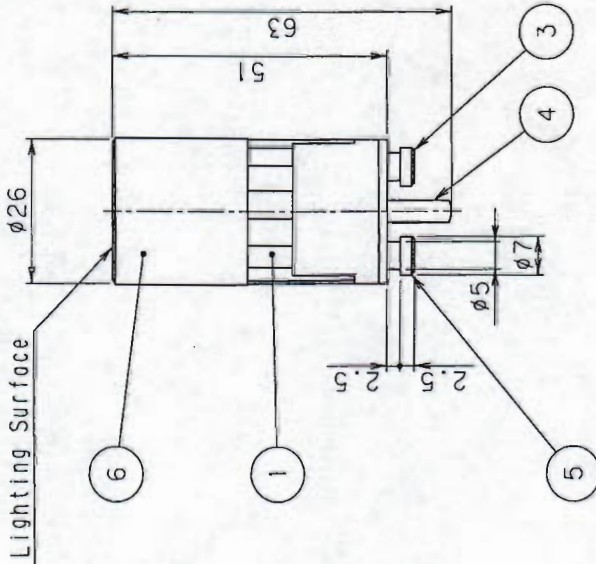


Guid Mark

COMPONENT PARTS LIST

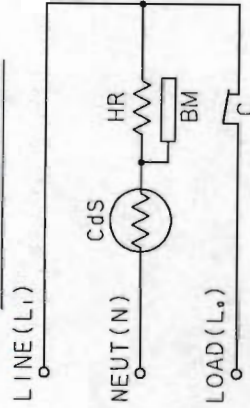
No	Description	Quantity	Material
1	Cover	1	Methacryle
2	Base	1	ABS
3	Base Blade L <sub>1</sub>	1	Brass
4	Base Blade N	1	Brass
5	Base Blade L <sub>2</sub>	1	Brass
6	Shroud	1	



SPECIFICATION

1	Rated Voltage	AC240V
2	Operating Voltage	AC210~260V
3	Current Rating	3A
4	Maximum Power Consumption	1.5W
5	Withstand Voltage	3kV
6	Insulation Resistance	10MΩ
7	Switching Capacity	500VA/PFO.45 500W
8	Turn-On Level	10~20Lx (80%) 10~31.5Lx (100%)
9	Turn-Off Level	40 ~ 100 / 140
10	Maximum On/Off Ratio	1/5
11	Operating Temperature Range	-10°C~60°C
12	Moisture Resistance	95% RH
13	Type of Surge Protection	none
14	Rating of Surge Protection	-
15	Base Type	D-2

CIRCUIT DIAGRAM



HR : Resistor  
 BM : Bi-Metal  
 CdS: Photo Conductor  
 C : Contacts

(UNIT : mm)

MARK	CORRECTED	CAREER	DATE	DESIGN	DESIGN	ARTICLE	PHOTO	CONTROLS
				DRAWING	T. Sakamuro	MODEL	AS-2403P3	
				CHECK	T. Sakamuro J. Mar. '98 H. Kanbuchi H. Kontani	DRAWING No.	R3A001312A	
				APPROVAL	T. Nozaki T. Noriki	SCALE	1/1	
KAGA, INC.							DATE	5. Mar. '98