



**Flexibility  
meets  
performance**

## SIRKEL

### DECORATIVE LED LUMINAIRE

The Sirkel LED luminaire is a multifunction energy saving luminaire that offers a number of LED configurations and mounting options to facilitate use in street lighting, garden and park lighting, area illumination, flood lighting and minor pedestrian underpasses. The unit features an innovative tool-less entry easy service housing with vandal resistant IK09 high transmittance glass protecting a LED module that may be ordered in a variety of options from 24-72 LEDs.

The luminaire complies with Australian Standards allowing it to replace traditional high wattage HID luminaires to AS/NZS 1158 compliance. The Sirkel LED features a body of corrosion resistant die-cast aluminium with polyester powder coat finish.

#### PERFORMANCE SUMMARY

- Compliant to AS/NZS CISPR15, SA/SNZ TS 1158.6 and AS/NZS 60598.1
- Corrosion resistant die-cast aluminium housing with polyester powder coat finish
- Tool-less access gear tray constructed in high thermal and mechanical resistance thermoplastic material
- Standard colour RAL7022
- IP66 ingress protection
- IK09
- CRI > 70
- Available as a Class I or II product
- Toughened glass refractor to prevent upward light spill
- Colour Temp: 4000K (Standard) & 3000K
- Multiple mounting options
- Limited warranty\*

\* See GLG standard terms & conditions



Where innovation comes to light



## SIRKEL (cont.)

### SPECIFICATIONS

#### Electrical Characteristics:

- Input Voltage: 240V – 50Hz/60Hz
- Power Factor: 0.9
- System watts: 30W-150W
- Class I
- SPD 5kA / 10kV

#### Optical Characteristics:

- CCT: 4000K as standard
- CRI: > 70
- Optical chamber sealed to IP66 with embedded breather for additional protection against moisture ingress

#### Mechanical Characteristics:

- Body sealed to IP66
- Pressure die cast aluminium body with polyester powder coat finish RAL7022
- Weight: 10.5kg
- Tool-less entry with quick release stainless steel fasteners, latches and clips
- 32-60mm spigot entry as standard

#### Control Characteristics:

- DALI

#### Environmental & Standards:

- Ambient Operation Temps: to Ta 40°C
- EMC compliant: AS/NZS CISPR15, AS/NZS 60598.1 & AS/NZS TS 1158.6: Luminaires - Performance

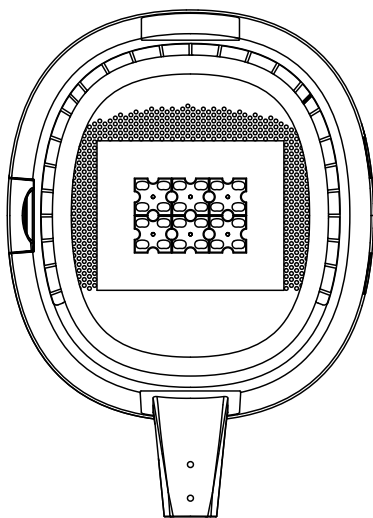
#### Options: (MOQ and additional leadtime applies)

- Class II
- CCT 3000K
- Type III and V distributions available
- 48mm, 76mm spigot entry & yoke available as option
- Smart City ready

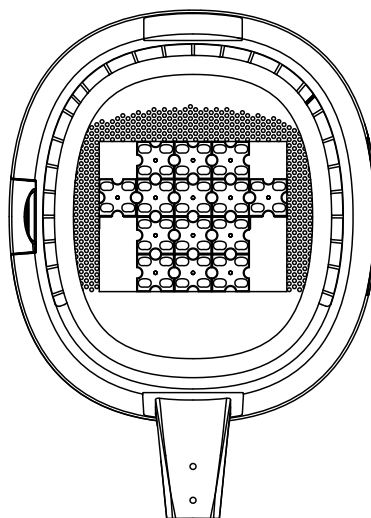
#### SMART CITY SOLUTIONS

- LOWPAN6, ZIGBEE, LORAWAN, NBIOT technologies
- Devices & sensors for smart city applications
- Customised platform integration

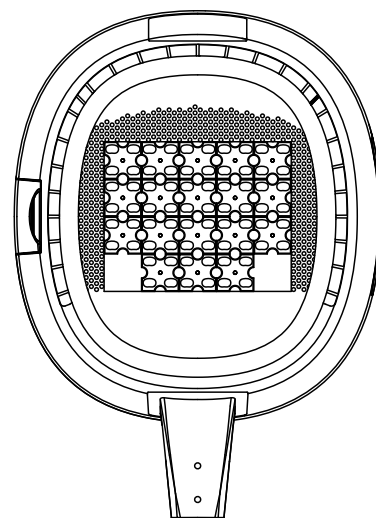
### LINE DRAWINGS | LED ARRANGEMENTS



24 LEDs



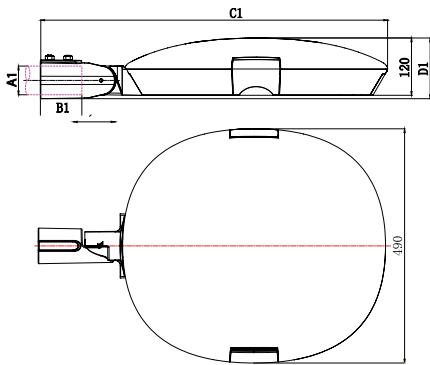
56 LEDs



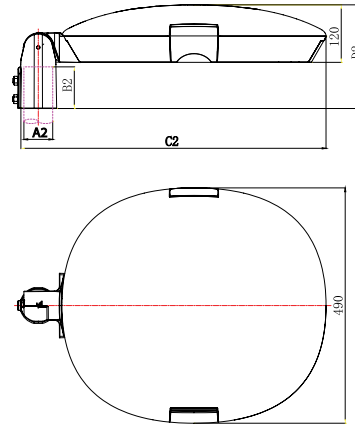
72 LEDs

## SIRKEL (cont.)

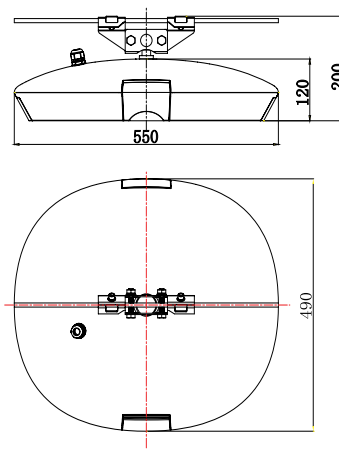
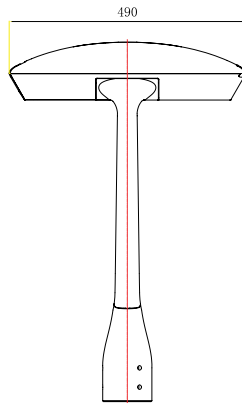
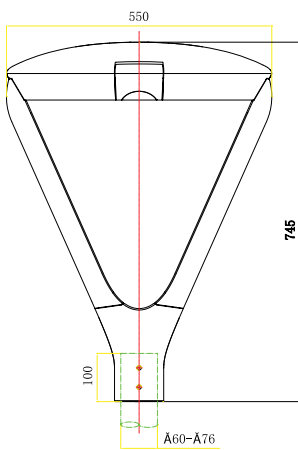
LINE DRAWINGS | MOUNTING VARIATIONS



| A1  | B1  | C1  | D1  |
|-----|-----|-----|-----|
| Ø48 | 90  | 725 | 120 |
| Ø60 | 86  | 725 | 127 |
| Ø76 | 135 | 775 | 137 |



| A2  | B2  | C2  | D2  |
|-----|-----|-----|-----|
| Ø48 | 90  | 636 | 215 |
| Ø60 | 86  | 636 | 215 |
| Ø76 | 135 | 636 | 265 |





## SIRKEL (cont.)

### ORDER CODES

| Product Code    | Name                         | Dimensions (mm)<br>W x H x D | Mass<br>(kg) | Beam<br>Distribution | System Power<br>(W) | Colour<br>Temperature | Electrical<br>Rating | Installation<br>Type | Dimming<br>Technology | PE Cell<br>Base Type | PE Cell<br>Type (if incl.) |
|-----------------|------------------------------|------------------------------|--------------|----------------------|---------------------|-----------------------|----------------------|----------------------|-----------------------|----------------------|----------------------------|
| <b>STANDARD</b> |                              |                              |              |                      |                     |                       |                      |                      |                       |                      |                            |
| SK99Z30L30      | SIRKEL 30W 4K T3 PESN7 7022  | 490x550                      | 10.5         | Type 3               | 30                  | 4000K                 | Class I              | 60mm Spigot          | DALI                  | NEMA 7 pin           | Shoring Cap*               |
| SK99Z50L30      | SIRKEL 30W 4K T5 PESN7 7022  | 490x550                      | 10.5         | Type 5               | 30                  | 4000K                 | Class I              | 60mm Spigot          | DALI                  | NEMA 7 pin           | Shoring Cap*               |
| SK99Z30L50      | SIRKEL 50W 4K T3 PESN7 7022  | 490x550                      | 10.5         | Type 3               | 50                  | 4000K                 | Class I              | 60mm Spigot          | DALI                  | NEMA 7 pin           | Shoring Cap*               |
| SK99Z50L50      | SIRKEL 50W 4K T5 PESN7 7022  | 490x550                      | 10.5         | Type 5               | 50                  | 4000K                 | Class I              | 60mm Spigot          | DALI                  | NEMA 7 pin           | Shoring Cap*               |
| SK99Z30L60      | SIRKEL 60W 4K T3 PESN7 7022  | 490x550                      | 10.5         | Type 3               | 60                  | 4000K                 | Class I              | 60mm Spigot          | DALI                  | NEMA 7 pin           | Shoring Cap*               |
| SK99Z50L60      | SIRKEL 60W 4K T5 PESN7 7022  | 490x550                      | 10.5         | Type 5               | 60                  | 4000K                 | Class I              | 60mm Spigot          | DALI                  | NEMA 7 pin           | Shoring Cap*               |
| SK99Z30L100     | SIRKEL 100W 4K T3 PESN7 7022 | 490x550                      | 10.5         | Type 3               | 100                 | 4000K                 | Class I              | 60mm Spigot          | DALI                  | NEMA 7 pin           | Shoring Cap*               |
| SK99Z50L100     | SIRKEL 100W 4K T5 PESN7 7022 | 490x550                      | 10.5         | Type 5               | 100                 | 4000K                 | Class I              | 60mm Spigot          | DALI                  | NEMA 7 pin           | Shoring Cap*               |
| SK99Z30L120     | SIRKEL 120W 4K T3 PESN7 7022 | 490x550                      | 10.5         | Type 3               | 120                 | 4000K                 | Class I              | 60mm Spigot          | DALI                  | NEMA 7 pin           | Shoring Cap*               |
| SK99Z50L120     | SIRKEL 120W 4K T5 PESN7 7022 | 490x550                      | 10.5         | Type 5               | 120                 | 4000K                 | Class I              | 60mm Spigot          | DALI                  | NEMA 7 pin           | Shoring Cap*               |
| SK99Z30L150     | SIRKEL 150W 4K T3 PESN7 7022 | 490x550                      | 10.5         | Type 3               | 150                 | 4000K                 | Class I              | 60mm Spigot          | DALI                  | NEMA 7 pin           | Shoring Cap*               |
| SK99Z50L150     | SIRKEL 150W 4K T5 PESN7 7022 | 490x550                      | 10.5         | Type 5               | 150                 | 4000K                 | Class I              | 60mm Spigot          | DALI                  | NEMA 7 pin           | Shoring Cap*               |

### SPECIAL ORDER

|              |                        |         |      |        |     |       |         |          |      |  |  |
|--------------|------------------------|---------|------|--------|-----|-------|---------|----------|------|--|--|
| SK99ZC30L30  | SIRKEL 30W 4K T3 7022  | 490x550 | 10.5 | Type 3 | 30  | 4000K | Class I | Catenary | DALI |  |  |
| SK99ZC50L30  | SIRKEL 30W 4K T5 7022  | 490x550 | 10.5 | Type 5 | 30  | 4000K | Class I | Catenary | DALI |  |  |
| SK99ZC30L50  | SIRKEL 50W 4K T3 7022  | 490x550 | 10.5 | Type 3 | 50  | 4000K | Class I | Catenary | DALI |  |  |
| SK99ZC50L50  | SIRKEL 50W 4K T5 7022  | 490x550 | 10.5 | Type 5 | 50  | 4000K | Class I | Catenary | DALI |  |  |
| SK99ZC30L60  | SIRKEL 60W 4K T3 7022  | 490x550 | 10.5 | Type 3 | 60  | 4000K | Class I | Catenary | DALI |  |  |
| SK99ZC50L60  | SIRKEL 60W 4K T5 7022  | 490x550 | 10.5 | Type 5 | 60  | 4000K | Class I | Catenary | DALI |  |  |
| SK99ZC30L100 | SIRKEL 100W 4K T3 7022 | 490x550 | 10.5 | Type 3 | 100 | 4000K | Class I | Catenary | DALI |  |  |
| SK99ZC50L100 | SIRKEL 100W 4K T5 7022 | 490x550 | 10.5 | Type 5 | 100 | 4000K | Class I | Catenary | DALI |  |  |
| SK99ZC30L120 | SIRKEL 120W 4K T3 7022 | 490x550 | 10.5 | Type 3 | 120 | 4000K | Class I | Catenary | DALI |  |  |
| SK99ZC50L120 | SIRKEL 120W 4K T5 7022 | 490x550 | 10.5 | Type 5 | 120 | 4000K | Class I | Catenary | DALI |  |  |
| SK99ZC30L150 | SIRKEL 150W 4K T3 7022 | 490x550 | 10.5 | Type 3 | 150 | 4000K | Class I | Catenary | DALI |  |  |
| SK99ZC50L150 | SIRKEL 150W 4K T5 7022 | 490x550 | 10.5 | Type 5 | 150 | 4000K | Class I | Catenary | DALI |  |  |

### ACCESSORIES

|                                |          |
|--------------------------------|----------|
| 32-60mm Tilt Adjustable Spigot | Standard |
| 32-48mm Tilt Adjustable Spigot | SK99001  |
| 60-76mm Tilt Adjustable Spigot | SK99002  |
| 60-76mm Yoke-Post Top          | SK99003  |

The above codes are for standard offering only. For additional options or product configurations, please consult your Sylvania consultant.  
\* Supplied as standard

Where innovation comes to light