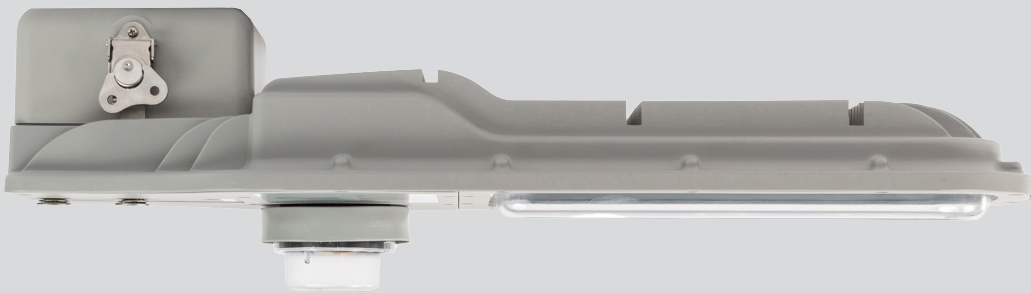


ALDRIDGE



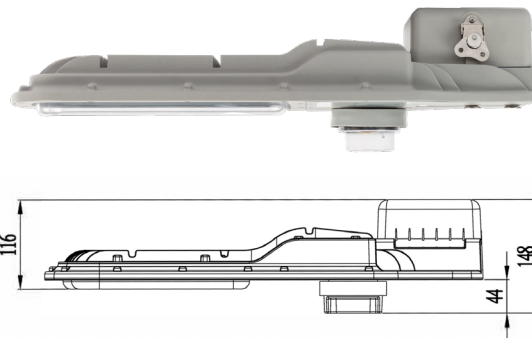
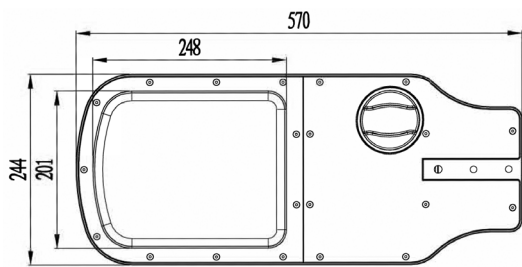
P-LED II - 40W



LED Lighting for Residential Roads



Dimensions



Features

- SmartCity Ready - TST compatibility Zigbee, LoRa, NBLoT
- High Performance Street Lighting luminaire designed to meet stringent Australian/New Zealand standards
- High Performance Optics designed to comply and meet Australian standards AS 1158.3.1 Cat. P
- Direct replacement of conventional P-category Mercury Vapour, Metal Halide, High Pressure Sodium and Fluorescent luminaires
- Integrated thermal management
- Segregated termination chamber c/w quick access latch
- Self cleaning housing and PMMA optical diffuser
- Diffuser: Semi cut-off (SC), Aero screen diffuser (AE)
- 7-pin Nema receptacle (7PN)
- 20 year design life
- 10 year warranty

Technical Data

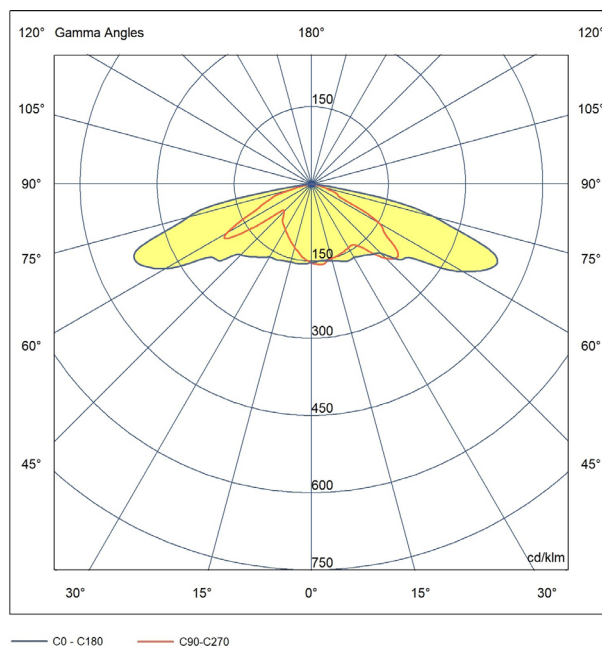
- Body:** High Pressure Marine Grade Die Cast Aluminum
- Optics:** P4 & P5 Distribution
- LED:** CREE
- CCT:** 3000K
- Total Lumens:** 3492 lm
- Wattage:** 40 Watts
- Finishing:** Powder Coat Grey (Standard)
- Mounting:** 4 - 9 Metres
- Fixing:** Side Spigot Mount (27 - 35mm OD)
- IP rating:** IP66
- IK rating:** IK06
- Voltage:** 220V - 240V 50/60Hz
- Power Factor:** >0.9

Options

- DALI-2, D4i
- Zhaga: Street Lighting Controller
- Fuse Terminal Block: (FTB)
- Surge Protection Device: 10KVA, 20KVA
- Class II: (DB - Double Insulated)
- Colour: Grey (GR Standard), Black (BL)
- CCT: 4000k, 5000k
- Visor: Glareshield/spill light kit (GV)



Photometric Design Data



Specification P-LED II 40W

PRODUCT CODE	P40W.N7PAG
System Watts (W)	40
Input Voltage	220V - 240V 50/60Hz
CCT (K)	3000
CRI	Ra>80
Diffuser	Aeroscreen
IP Protection	IP66
IK Protection	IK06
Weight (Kg)-max.	6.8kg