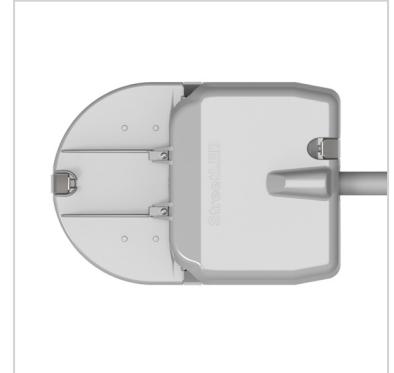
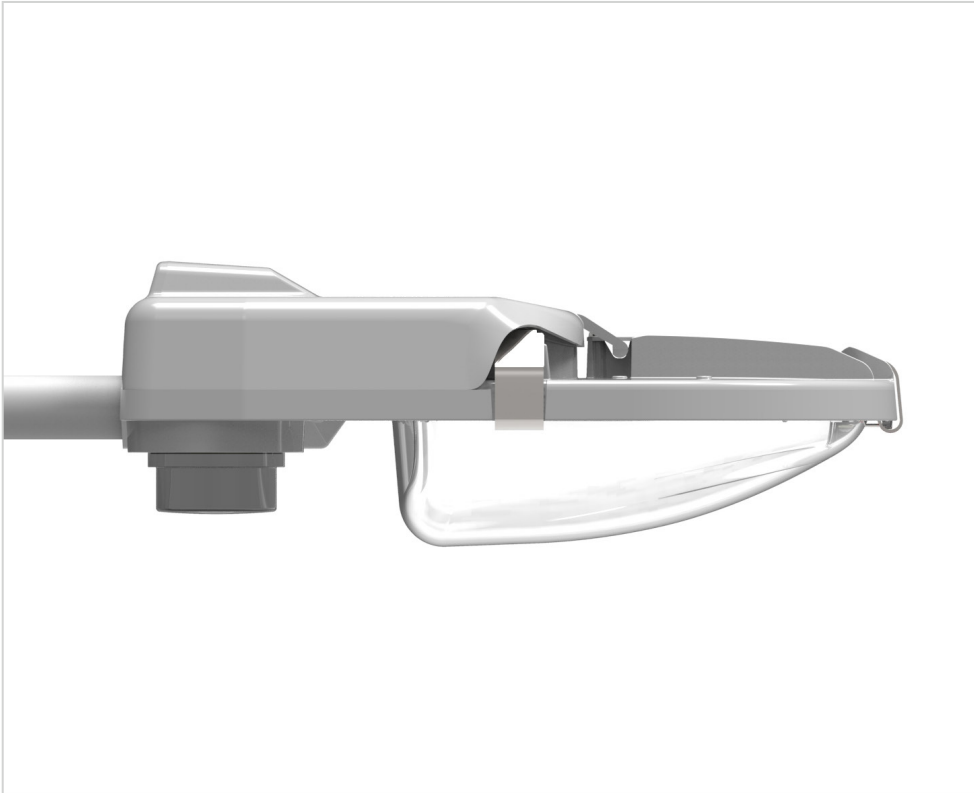


SYLVANIA STREETLED MK3



SYLVANIA

The smart choice for urban roads

Engineered and crafted in Australia, the StreetLED MK3 is a high performance luminaire designed specifically to meet Australian/New Zealand minor road lighting requirements.

The optical system with LED light source is optimised to provide the maximum spacing complying with AS1158-3.1 Category P.

The optical chamber sealed to IP66 ingress protection and the self-cleaning visor minimises light loss due to dirt accumulation, reducing maintenance and resulting in a high energy efficient luminaire.

Perfect for one-for-one replacement for legacy fittings including 70W HPS, 80W MV, 32/42W CFL, 2 x 14W T5, 2 x 24W T5.

SCO

IK 06

OPTIC &
CONTROL GEAR

IP 66



AERO

IK 07

CONNECTION
CHAMBER

IP 24



URBAN &
RESIDENTIAL
STREETS



BIKE &
PEDESTRIAN
PATHS



SQUARES &
PEDESTRIAN
AREAS



CAR PARKS



LARGE
AREAS



ROADS &
MOTORWAYS

MAIN APPLICATIONS

- Urban and residential streets
- Bike and pedestrian paths
- Squares and pedestrian areas
- Car parks
- Large areas
- Roads and motorways

KEY ADVANTAGES

- High performance roadway luminaire, designed specifically to meet Australian/New Zealand Road Lighting Standards, complying with both AS/NZS 60598.2.3 & AS/NZS TS 1158.6
- The optics and LED light source are optimised to provide maximum spacings for compliance with AS1158-3.1 Category P
- Optical chamber sealed to IP66 ingress protection
- IK06 (SCO) IK07 (AREO)
- Self-cleaning visor minimises light loss due to dirt accumulation, resulting in a highly energy efficient and low maintenance luminaire
- CRI 70
- Ambient temperature 40°C
- 20 year design life
- Available in Colour Temperature of 4000K standard, 3000K & 2200K optional
- VEET approved (applies to certain models)

OPTIONS:

- Polyester powdercoat finish in various RAL and DULUX colours
- NEMA PE cell
- Visor options - Aeroscreen and standard
- Anti-Glare visors and louvers
- 5° Tilt Adjustment Adapter



Toggle latch for tool-less entry



Semi cut-off self cleaning visor



NEMA 7 pin base for smart city (IoT) readiness



5° Tilt Adjustment Adapter for Spigots. Ensures that correct tilt can be achieved if the original pole outreach angle is incorrect.

SCS is focused on Smart Control technologies, delivering solutions to clients that enable these Smart LED luminaires to become smarter.

The equipped NEMA sockets on the luminaire connects a Smart Light Point Controller/ Node with an easy twist and lock mechanism. The Light Point Controllers enables these luminaires to be connected to a dedicated network and a User-Interface on a computer, which allows these luminaires to be remotely managed.

Key benefits:



Constant Light Output (CLO)

Additional energy savings (over 20%) by using the Constant Light Output (CLO) and Virtual Light Output (VLO) functionality



Dimming schedules

Reducing the amount of light when not required, thereby reducing light glow as well as get further energy savings



Pro-active maintenance

The system reports errors and failures as they occur, helping to repair/ restore the luminaires pro-actively



Smart City devices

Connect additional Smart City devices including Air-quality monitors, Noise sensors, Motion sensors etc



For more information on smart controls contact: info@scs-schreder.com

GENERAL INFORMATION

Recommended installation height	4m to 7.5m 13' to 25'
Driver included	Yes
RCM Mark	Yes
ROHS compliant	Yes
Testing standard	EMC compliant: AS/NZS CISPR15 Luminaires Performance: AS/NZS 60598.1 & AS/NZS 60598.2.3 Lighting for Roads and Public Spaces: SA/SNZ TS 1158.6

HOUSING AND FINISH

Housing	Pressure die cast aluminium body
Optic	Polycarbonate
Protector	Acrylic
Housing finish	Grey polyester powdercoat finish as standard (other colours available on request)
Standard colour(s)	RAL 9006 Any other RAL color on request
Tightness level	IP66 - Optic & Gear Chamber IP24 Connection Chamber
Impact resistance	IK06 for standard visor IK07 for aeroscreen visor
Vibration test	Compliant with AS1158.6:2015, AS60068.2.6:2003
Access for maintenance	Tool-less

PERFORMANCE

Lumen efficacy	125lm/w
----------------	---------

ELECTRICAL INFORMATION

Electrical class	Class I / Class II
Nominal voltage	220V-240V – 50Hz/60Hz
Power factor (at full load)	> 0.9
System wattage	11W-24W
Surge protection options (kV)	10kV
Electromagnetic compatibility (EMC)	AS/NZS CISPR15
Control protocol(s)	DALI or 1-10V
Socket(s)	NEMA 7 pin or Zhaga BOOK 18 4 pin receptacle with 24V control
Sensor(s)	Devices & sensors for smart city applications

OPTICAL INFORMATION

LED colour temperature	2200K, 3000K, 4000K,
Colour rendering index (CRI)	> 70
Upward Light Output Ratio (ULOR)	0%

OPERATING CONDITIONS

Temperature range from operation (Ta)	-10°C up to +40°C
---------------------------------------	-------------------

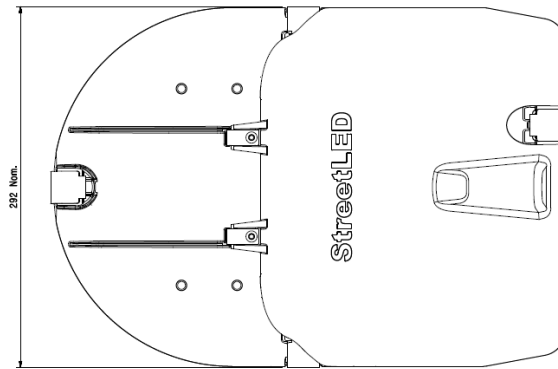
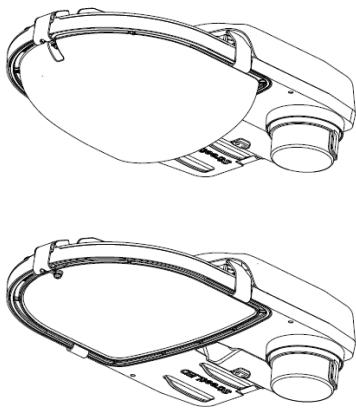
(*). Depending on the configuration of the luminaire. For more details, contact us.

LIFETIME OF THE LEDS @ TQ 40°C

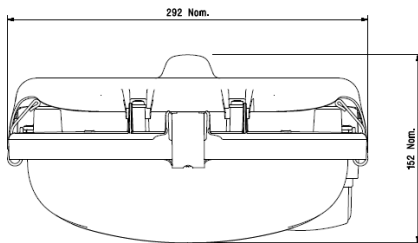
All configurations	88,000h - L95
--------------------	---------------

DIMENSIONS AND MOUNTING

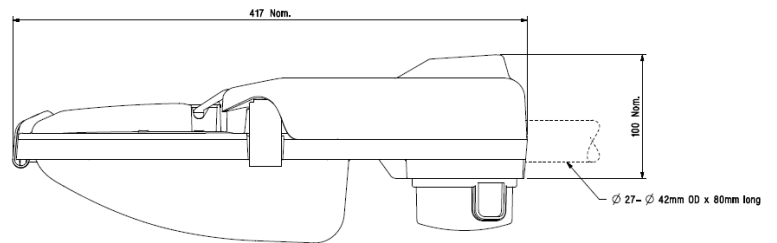
L x W x H (mm)	417 x 292 x 152
Weight (kg)	4.5
Mounting possibilities	27-34mm OD with 5° Tilt Adaptor 27-42mm OD without 5° Tilt Adaptor



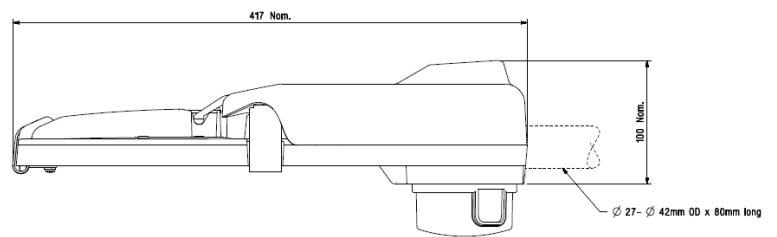
Top View



Front View



Side View with Standard Visor



Side View with Aeroscreen Visor



Product Code	Name	Beam Dist.	System Power (W)
JLC99Z05L17	STREETLED MK3 17W 4K PESN7	TYPE 3	17
JLC99Z15L17	STREETLED MK3 17W 4K PESN7 CO	TYPE 3	17

ACCESSORIES

JLC00010	5° Tilt Spigot Adjuster
JLB00000	SCO Spare Visor
JLB00002	CO Spare Visor
JLB00003	Rear Shield
JLB00004	Pathway Visior
JLB00005	360° Glare Shield
JLC00006	Louvres
JLB00000PC	Polycarbonate IK10 SCO Visor
JLB00002PC	Polycarbonate IK10 Aeroscreen Visor
JLB00007	Wire Guard