

# OPERATING PROCEDURE

## Guideline

### Identification of Victorian Contestable Transfer Points

PREPARED BY: Gas Metering and Settlements

DOCUMENT REF: VENDocs #297188

PREPARED FOR:

VERSION: 1

EFFECTIVE DATE: June 2010

FINAL

## Version Release History

Version	Date	By	Changes
1.0	30/04/2000	V. Ashby	Original
1.1	13/01/2010	L.Mills	Ensure document conforms to AEMO standard
1.2	17/06/2010	C Dickson	AEMO branded

## Table of Contents

<b>1</b>	<b>Definitions</b> .....	<b>4</b>
<b>2</b>	<b>Introduction</b> .....	<b>5</b>
2.1	Scope.....	5
2.2	Background.....	5
<b>3</b>	<b>Designation Rules</b> .....	<b>5</b>
3.1	Structure .....	5
3.2	Allocation .....	6
3.2.1	Responsibility .....	6
3.2.2	Initial Allocation .....	6
<b>3.3</b>	<b>Business Rules</b> .....	<b>6</b>
3.3.1	Registration of Retail Contestability Points .....	6
3.3.2	Utilisation of Meter Identification Registration Numbers .....	6
3.3.3	Registration of Meter Identification Registration Number .....	7
3.3.4	De-Commissioning of the Meter Identification Registration Number .....	7
3.3.5	Gas Hot Water Meters.....	7
<b>4</b>	<b>Explanatory Diagrams</b> .....	<b>7</b>
4.1	Single Meter .....	7
4.2	Multiple Parallel Meters .....	7
4.3	Multiple dwelling – Single Gas Meter.....	8
4.4	Multiple dwelling – Individual Gas Meters.....	8
4.5	Multiple dwelling – Centralised Hot water system.....	8
4.6	Multiple dwelling – Individual Hot Water Meters .....	8
4.7	Multiple dwelling – Individual Gas and Hot Water Meters .....	9
4.8	Multiple dwelling – Single Gas Meter and Individual Hot Water Meters .....	9
<b>5</b>	<b>Separate Meters not Adjacent</b> .....	<b>9</b>

## 1 Definitions

<b>Business day</b>	A day other than a Saturday, Sunday or public holiday in Melbourne
<b>Connection</b>	The joining of a natural gas installation to the Network's gas pipeline to allow the flow of gas from the Network to the natural gas installation.
<b>Delivery point</b>	The point where natural gas leaves the Network before being supplied to the customer. The meter is the last part of the Network.
<b>End-user</b>	The person or legal entity using natural gas, usually the customer of the Retailer. In this document end-user and customer are used interchangeably.
<b>Market Participant</b>	An authorised Person who reticulates, or supplies gas within the contestable gas market
<b>Master Meter</b>	A meter connected directly to a consumer service and supplying gas to subsidiary meters
<b>Meter</b>	An instrument that measures the quantity of gas passing through it and includes associated equipment attached to the instrument to filter, control and regulate the flow of gas.
<b>Meter Identification Registration Number (MIRN)</b>	This is a ten(10) digit alpha –numeric unique identifier used to identify a supply point used in the Victorian Gas Market.
<b>Multiple dwelling</b>	A residential building, or group of buildings which contain more than one end-user
<b>Natural gas installation</b>	Any natural gas equipment downstream of the delivery point meterset
<b>AEMO</b>	Australian Energy Market Operator

## 2 Introduction

### 2.1 Scope

This document describes the process and rules for the determination of a contestable delivery point for the purposes of Retail Contestability. The key to identification of a contestable delivery point is the Meter Identification Registration Number (MIRN).

### 2.2 Background

The Meter Identification Registration Number is the unique identity number for a supply point that can be transferred between licensed retailers in Victoria.

The operations and tasks to be undertaken by participants within the Victorian Gas Market fundamentally require all of the involved parties to efficiently and effectively collate, manage, process and communicate, all necessary commercial, technical and metering data pertaining to each Meter Identification Registration Number within the market.

In order to ensure the efficiency of the operation of the market, the Meter Identification Registration Number will:

- Uniquely identify the contestable supply points;
- Facilitate data collection and processing operations;
- Be verifiable by affected parties to the transfer; and
- Be consistent with other jurisdictions.

For these reasons it is recognised that:

Use of a unique identifier, the Meter Identification Registration Number, for each contestable supply point is a crucial component to all the operations of customer registration and transfer, change control and data transfer. Use of a unique identifier for all supply points is also required to enable a clear and concise aggregation of data for wholesale market settlement purposes.

## 3 Designation Rules

### 3.1 Structure

The Meter Identification Registration Number (MIRN) is a ten (10) digit identifier, the structure of which is consist with the following alphanumeric components:

- The MIRN must contain no spaces and embody only Alpha Numeric characters;
- Has the following characteristics:

Length	10 Digits
Starts with	3 – Victorian Meters 2 – NSW Meters
Ends with (second last digit)	P - Physical L – Logical



Re-registrations of end-users involving status changes, communication and/or meter changes must include the Meter Identification Registration Number on all communications between affected parties.

All formal confirmation notices between Market Participants such as official notices of customer supply point transfer between Retailers must be clearly identified by inclusion of the Meter Identification Registration Number.

### 3.3.3 Registration of Meter Identification Registration Number

The Network Provider will only issue a Meter Identification Registration Number where the information supplied is sufficient to confirm the requirements for a unique Meter Identification Registration Number to be assigned.

### 3.3.4 De-Commissioning of the Meter Identification Registration Number

Once the Meter Identification Registration Number is de-commissioned, it will not be re-issued.

### 3.3.5 Gas Hot Water Meters

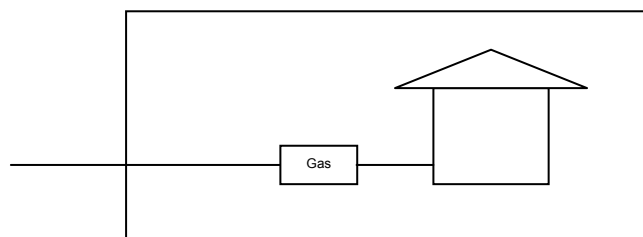
Hot water meters are not considered to be a contestable point for the purposes of the Victorian Market, only gas meters.

## 4 Explanatory Diagrams

The diagrams presented are for explanatory purposes only, and illustrate that one contestable delivery point corresponds to one Meter Identification Registration Number.

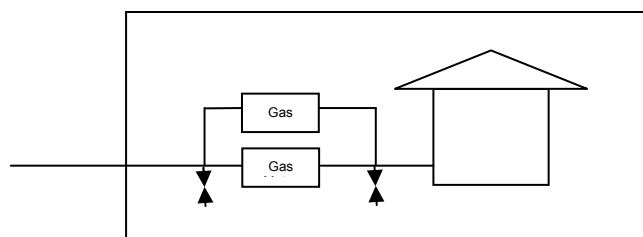
### 4.1 Single Meter

- One MIRN
- One Meter
- Eg. Residential Premise



### 4.2 Multiple Parallel Meters

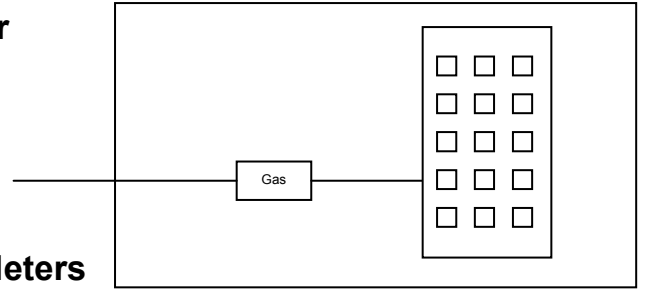
- One MIRN
- Multiple meters
- Eg. Non-residential premises



Note: In this situation the second meter is taken to be a by-pass meter, and consequently there is only one transfer point.

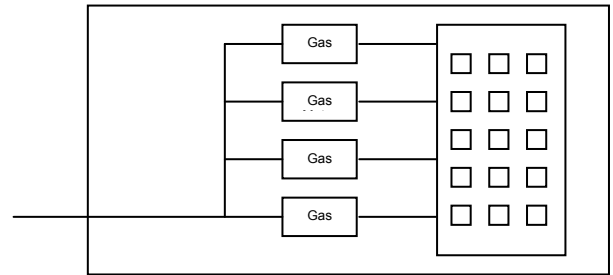
**4.3 Multiple dwelling – Single Gas Meter**

- One MIRN
- One Master Meter



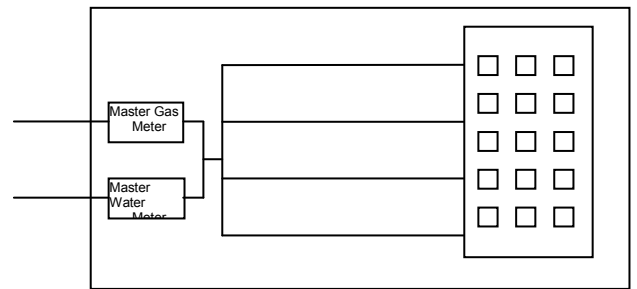
**4.4 Multiple dwelling – Individual Gas Meters**

- ‘n’ MIRNS
- ‘n’ Meters
- Eg. Multiple dwelling with cooking and heating facilities



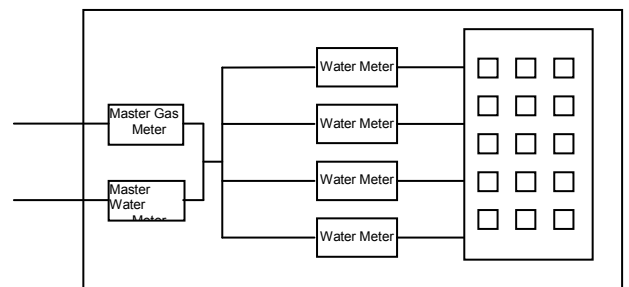
**4.5 Multiple dwelling – Centralised Hot water system**

- One MIRN
- One Master gas meter
- One Master water meter
- Eg. Multiple dwelling with shared hot water facilities



**4.6 Multiple dwelling – Individual Hot Water Meters**

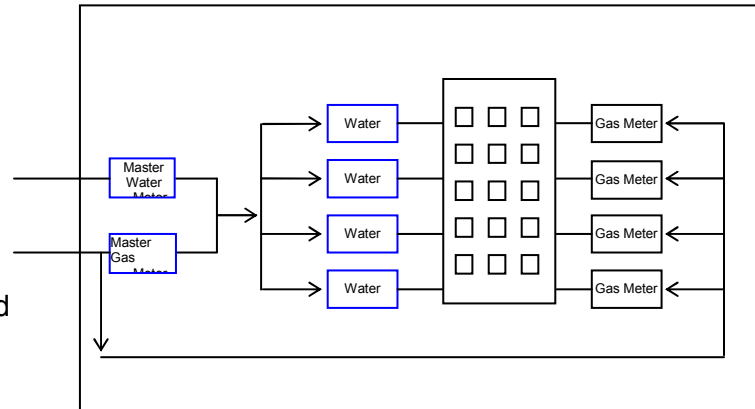
- One MIRN
- One Master Gas meter
- One Master Water meter
- ‘n’ Hot water meters
- Eg. Multiple dwelling with Centralised hot water facilities





### 4.7 Multiple dwelling – Individual Gas and Hot Water Meters

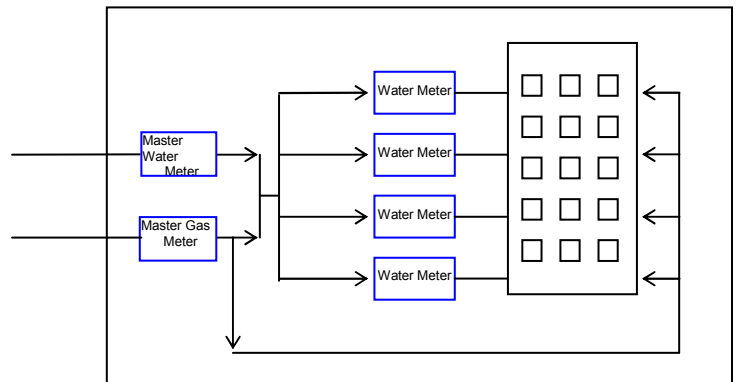
- ‘n+1’ MIRNs
- One Master Gas meter
- One Master Water meter
- Individual Hot water meters
- Individual gas meters
- Eg. Multiple dwelling with Individual
- Cooking & heating facilities, Centralised
- hot water system



**Note** – In this arrangement the take off point to the individual meters would be re-routed to the supply side of the Master Gas Meter, rather than leave it on the load side of the gas meter for multiple MIRNs to be available. If individual meters are services from the load side, then the sub-meters would NOT be considered Transfer Points in the Victorian Market. Rather, the Master meter would be considered the transfer point, per the diagram below.

### 4.8 Multiple dwelling – Single Gas Meter and Individual Hot Water Meters

- One MIRN
- One Master Water meter
- Individual Hot water meters
- One Master Gas meter
- Eg. Multiple dwelling with shared hot
- water facilities, and cooking & heating



### 4.9 Separate Meters not Adjacent

- ‘n’ MIRNs
- ‘n’ Meters
- Eg. Non-residential premises

